

READ THIS BOOKLET THOROUGHLY
BEFORE INSTALLATION OF THE UNIT
FAILURE TO FOLLOW THESE INSTALLATION INSTRUCTIONS
COULD RESULT IN CANCELLATION OF THE WARRANTY



ASSA ABLÖY New Zealand Limited
6 Armstrong Road, Albany, Auckland 0632
www.assaabloy.co.nz
For customer feedback: info.nz@assaabloy.com

WARRANTY

ASSA ABLÖY New Zealand Ltd ("ASSA ABLÖY") guarantees its products against defects in workmanship and materials. If within 10 years of purchase a product is found to be defective, ASSA ABLÖY will supply the same or equivalent product free of charge. All electrical and electronic components used in ASSA ABLÖY's range of products excluding batteries are guaranteed for a period of 12 months from the date of proof of purchase, unless stated otherwise.

ASSA ABLÖY assumes no liability under the guarantee for the following:

1. Improper installation or failure to follow fitting instructions.
2. Failure due to improper maintenance.
3. Fair wear and tear.
4. Indirect or consequential loss or damage.
5. Cost of removal and/or replacement.
6. Cost of freight and/or travelling time.
7. Damage to or deterioration of plated finishes (soft finishes). As deterioration is possible under some environmental conditions, these finishes are excluded from this guarantee.
8. Any modification or repairs to a product, as supplied, unless authorised by ASSA ABLÖY.
9. Use of replacement parts other than authorised parts.
10. Malfunction or failure of the product due to the use of non-genuine ASSA ABLÖY parts.

Nothing in the ASSA ABLÖY New Zealand Limited Warranty excludes, restricts or modifies any condition, warranty, right or liability implied or protected by law where to do so would render the Warranty, or any part of it, void.

INSTALLATION INSTRUCTIONS

Sliding Door Lock - Deadlocking 2-Point Mortice Lock - Deadlocking

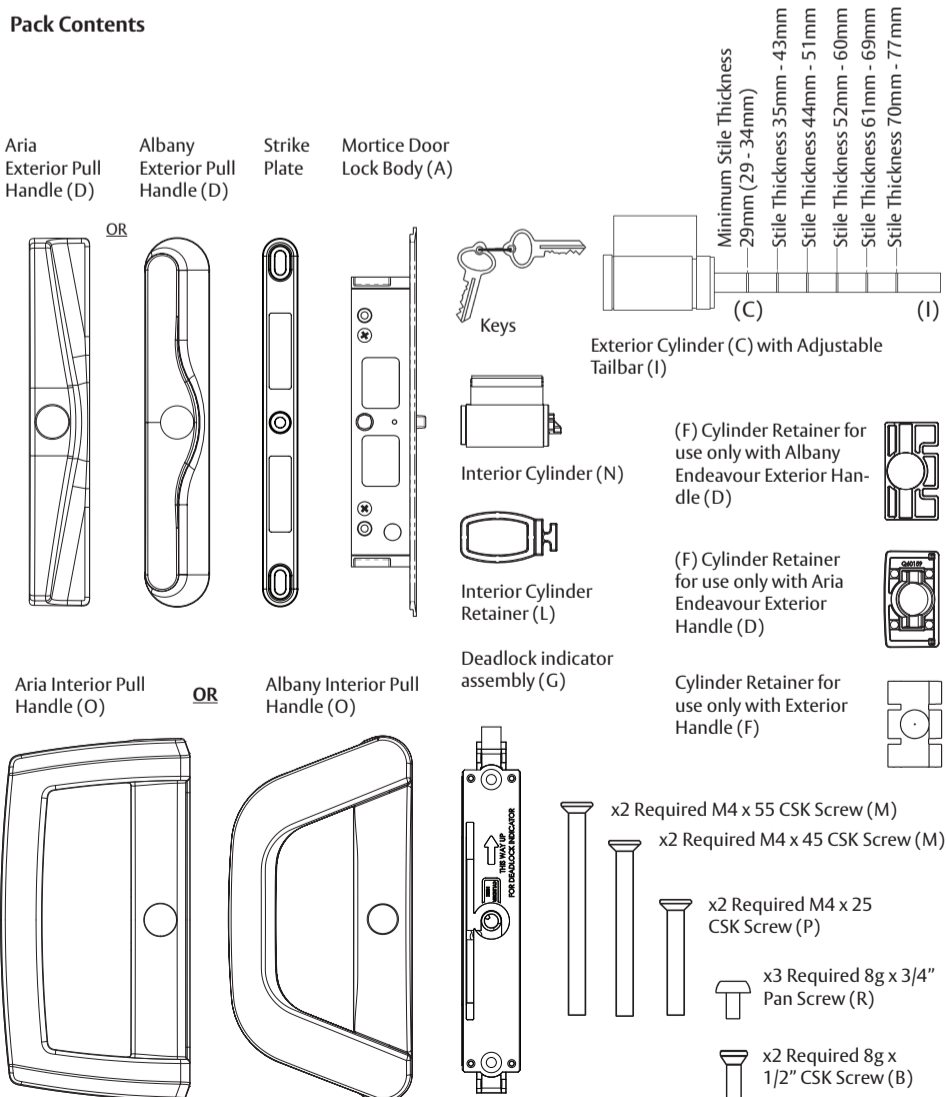
ASSA ABLÖY

The global leader in door opening solutions.

Contents

Components	1
Lock Body Installation	2
Exterior Pull Handle and Deadlock Indicator Assembly	3
Interior Handle Fitting	4
Strike Plate Installation	5

Pack Contents



Lock Body Installation

1. Insert the mortice lock body (A) into the routed openings with the text facing to the exterior side of the sliding door as shown in Figure 1a.
2. Secure the mortice lock body using screws (B) as shown in Figure 1a.

Figure 1: Routing Diagram

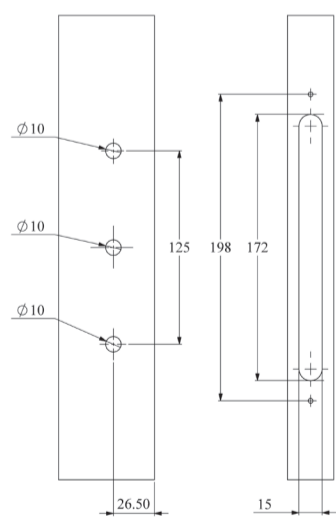
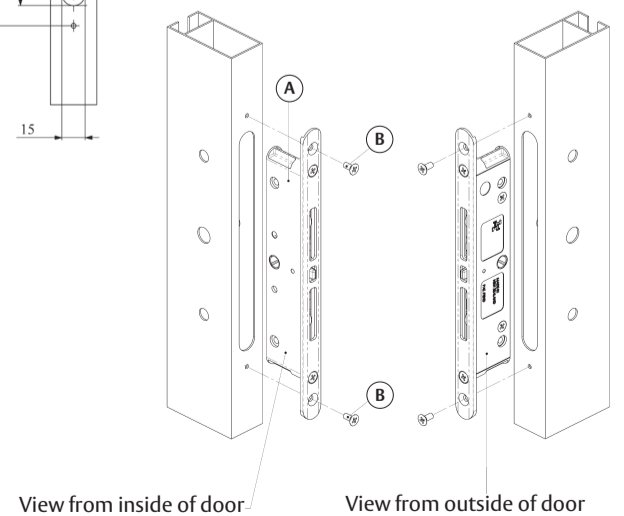


Figure 1a



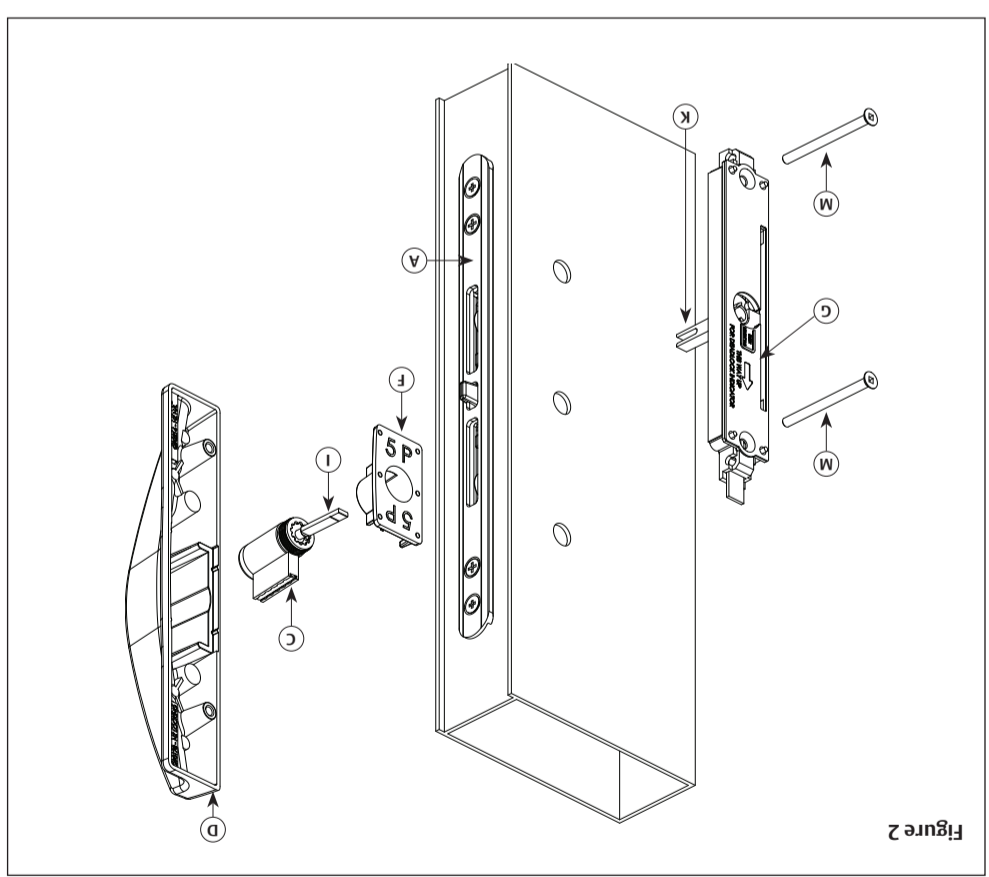


Figure 2

3. Measure the thickness of the door stile as shown in Figure 2. Refer to the exterior cylinder (C) diagram on Page 1 and break the adjustable tailbar at the break point corresponding to the door stile thickness.
4. Install the exterior cylinder (C) into the exterior pull handle (D). Note: Endeavour SBML secures the cylinder with the cylinder retainer (F) supplied.
5. Ensure the mortice lock (A) is in the unlocked position. Place the deadlock indicator assembly with 'this way up' arrow (G) upwards against the inside of the stile.
6. Engage the end of the tailbar of the cylinder (I) into the slot in the deadlock indicator assembly drive bar (K).
7. Select the correct length exterior furniture fasteners (M) and fit through the deadlock indicator assembly (G) and the corresponding holes in the mortice lock body (A) to secure the exterior pull handle (D).

Exterior Pull Handle and Deadlock Indicator Assembly

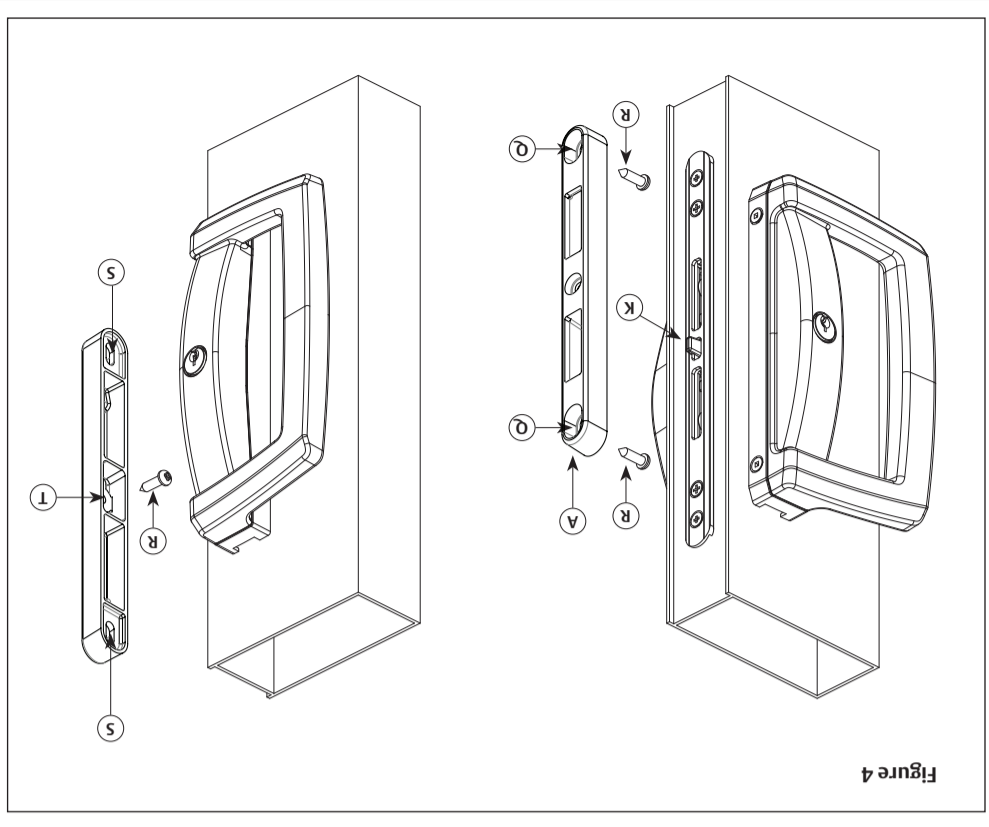


Figure 4

10. With the sliding door in the closed position, mark the centre of the Mortice Lock Body (A) onto the frame.
 11. Drill pilot hole and secure the strike plate assembly with 2 of the supplied fasteners (R). Position strike centrally about the centre mark and mark top and bottom screw holes (Q).
 12. Check the strike plate is central to the mortice lock body. Adjust position if necessary. Once this is correct drill and fit central fixing screw (R).
 13. Check lock operation. Difficulty in operation may result from the anti-slam pin (K) not being fully depressed while the door is in the fully closed position. To correct, open door and loosen the strike plate retaining screws (S) by one turn. Carefully loosen the anti-rattle screw (T) until the strike plate is no longer free to move. Note: Care must be taken while making these adjustments as excessive force may bend the strike plate.
- Check lock operation and repeat if necessary.

Strike Plate Installation

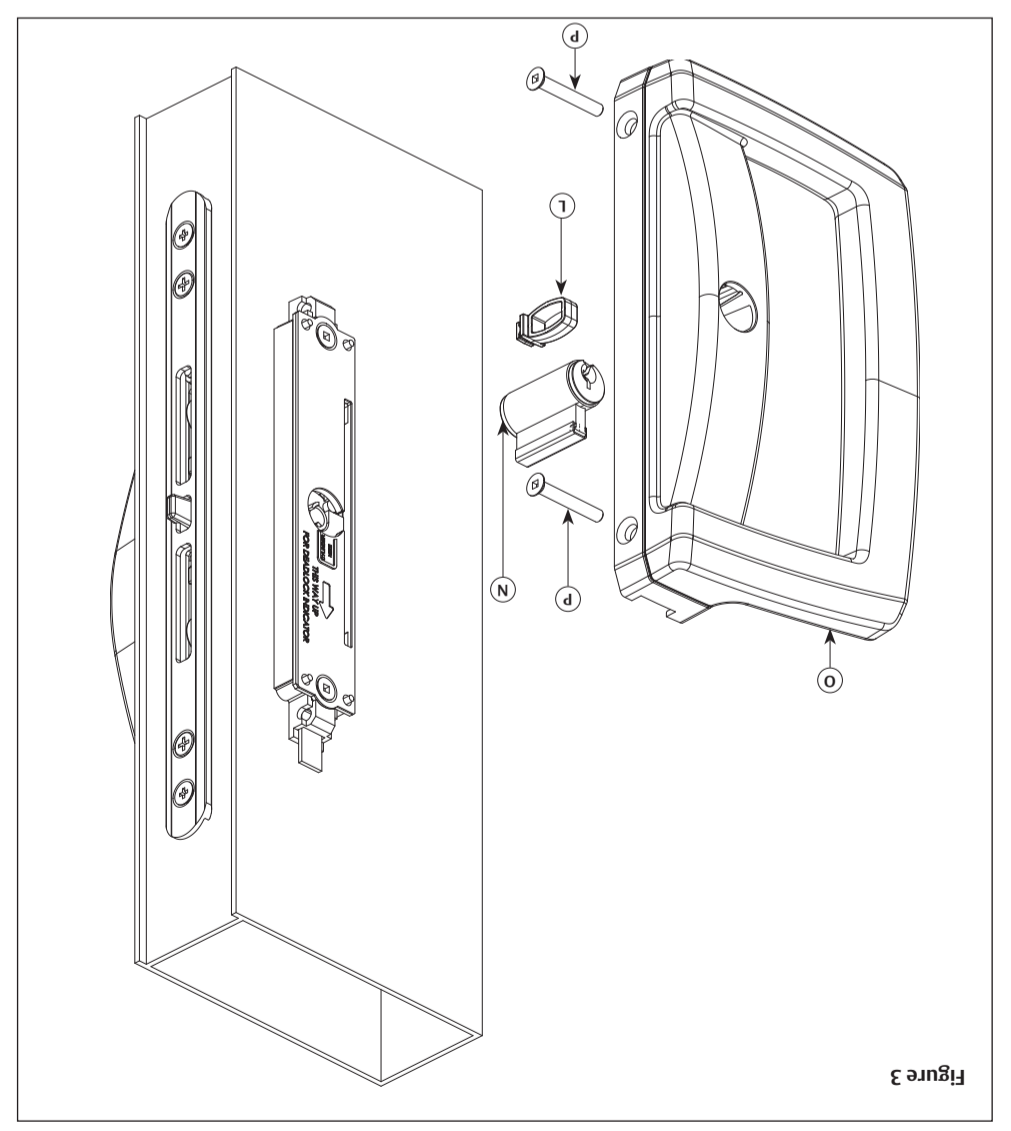


Figure 3

8. Fit the internal cylinder into the internal handle assembly (C). Lock the cylinder into the internal handle with the cylinder lock (L). Note how the cylinder is orientated upwards to fit with the deadlock indicator assembly.
9. Fit internal handle (O) and secure with mounting screws (P).

Interior Handle Fitting